

DIMENSIONS "A"		OPENING
inches	mm	
7	178	TO 100°
6	152	101° TO 120°
3-1/2	89	*121° TO 180°

*Door/Wall/Hardware/Jamb conditions permitting

- Right hand door illustrated. Same dimensions apply to left hand door.
- Measured from hinge centerline. Dimensions are in inches (mm).
- Do not scale drawing.

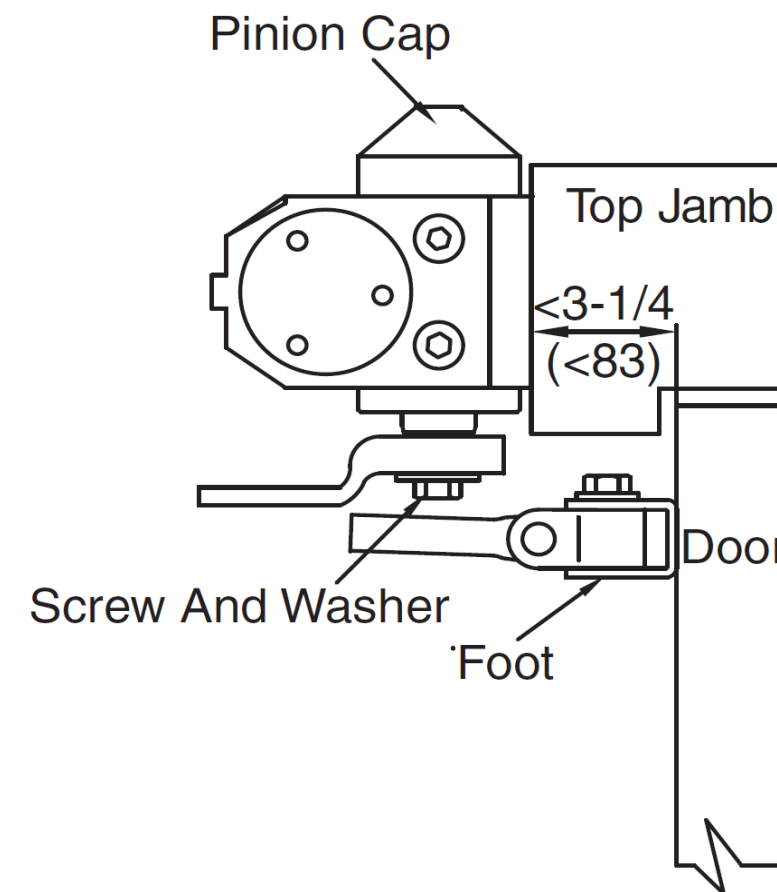
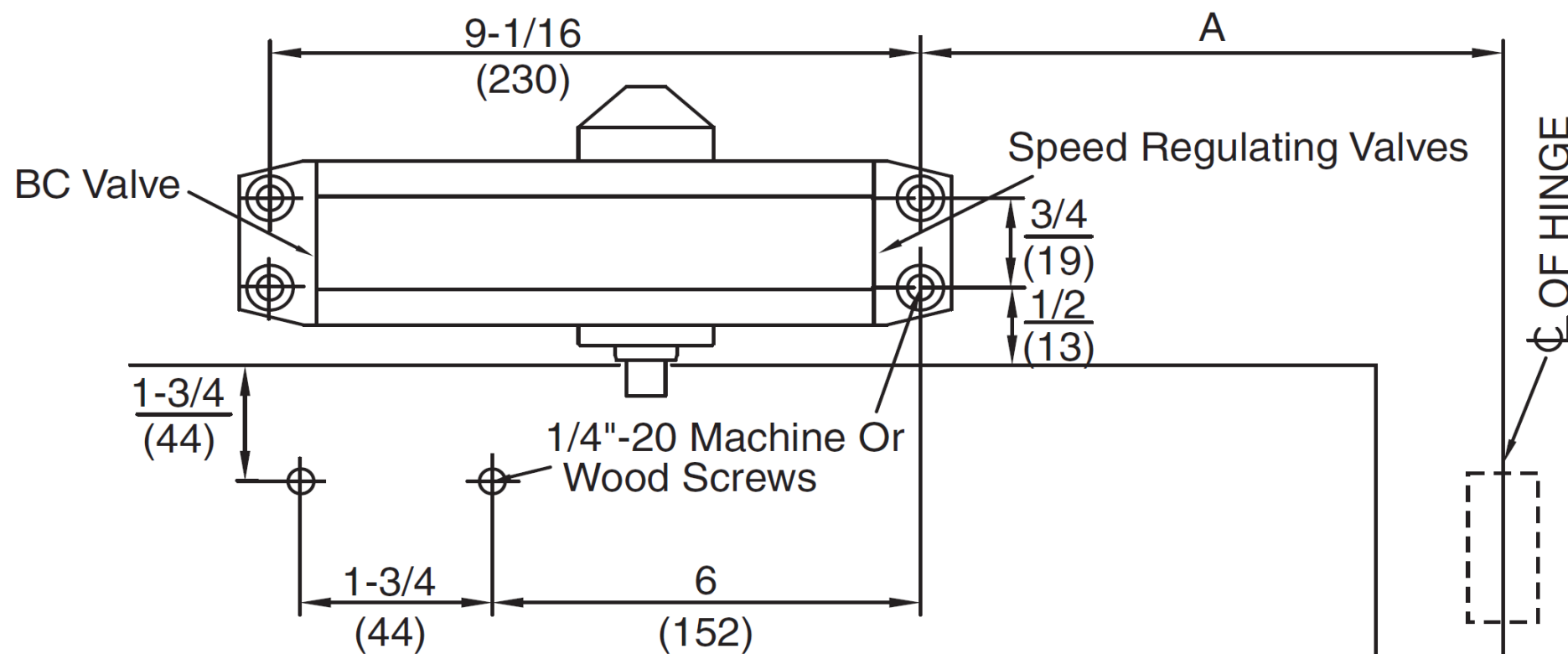


ARROW Lock and Door Hardware
 3626 Allegheney Dr.
 Salem, VA 24153
 1-800-839-3157

DC314 AND DC325 REGULAR ARM TEMPLATE

SHEET 1 OF 2

REV. & DATE	TEMPLATE NO.
A 04-14	DC300DM-203.FIN



DIMENSIONS "A"		OPENING
inches	mm	
7	178	TO 100°
6	152	101° TO 120°
3-1/2	89	*121° TO 180°

*Door/Wall/Hardware/Jamb conditions permitting

- Right hand door illustrated. Same dimensions apply to left hand door.
- Measured from hinge centerline. Dimensions are in inches (mm).
- Do not scale drawing.



ARROW Lock and Door Hardware
 3626 Allegheny Dr.
 Salem, VA 24153
 1-800-839-3157

DC314 AND DC325 TOP JAMB TEMPLATE

SHEET 2 OF 2

REV. & DATE	TEMPLATE NO.
A 04-14	DC300DM-203.FIN